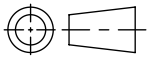
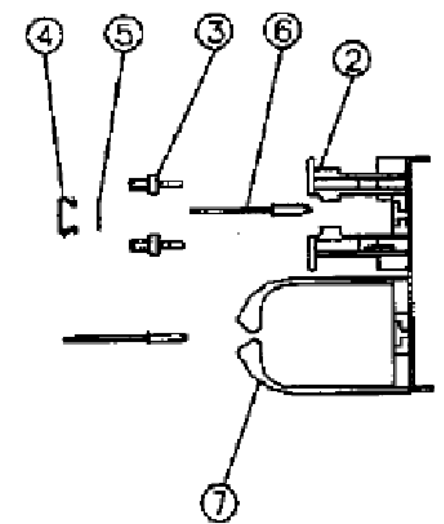
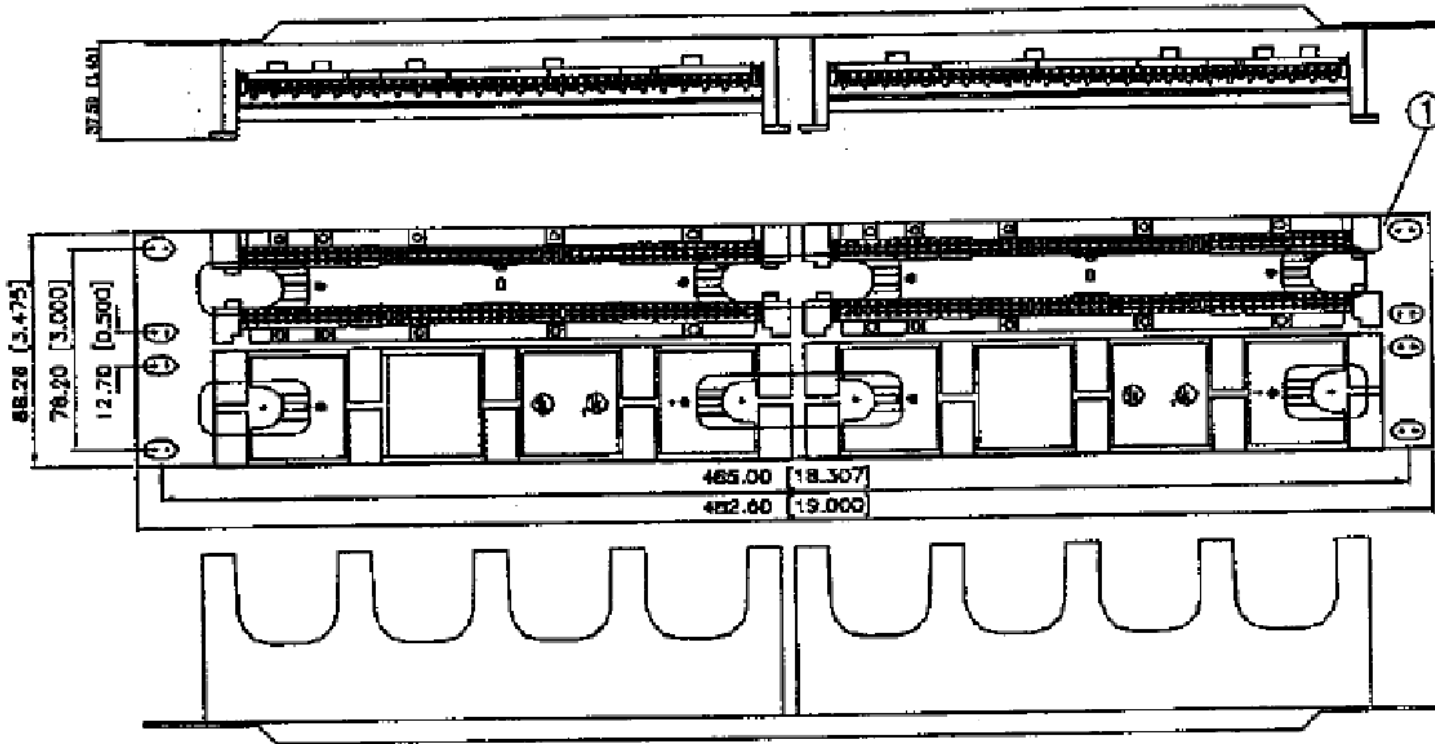


SW2014



Revision level			Revision Record	Changed	Date	Approved	Date
Drawing	State	Part					
01.1	Design Release		SEE ECN# 013473	GRW	6/21/2016	KAC	6/21/2016



ITEM	PARTS NAME	QUANTITY
1	PANEL	1
2	BLOCK	2
3	25 PR INSERT	4
4	INDEX HOLDER	2
5	INDEX PAPER	2
6	REVIT	8

Material
POLYCARBONATE

Units: **millimeters**
 Dimension without tolerances details to:
 .XXX = ±.013
 .XX = ±.13
 .X = ±.3
 None = ±.8
 < = ±0.5°
 Dimension Formatted mm/[in]

The copyright of this drawing is reserved by HellermannTyton. It is issued on condition that it is not reproduced, copied, or disclosed to a third party, either wholly or in part, without the consent of HellermannTyton.

Drawn	GRW	6/17/2015
Approved	KAC	6/17/2015

HellermannTyton
 North America
 Email: corp@htamericas.com
 Web: www.hellermann.tyton.com

Article/Type-No 853-19225 / T110RM96-4CT
 Title **CAT6 96 PAIR RACK MOUNT KIT WITH CABLE TROUGH, 2U**
 Drawing-No PRODUCTION : Phase
15-0374-001-CSU

Scale 1:1
 Project Number PRP 15-0374
 Format AH
 Sheet 1/1