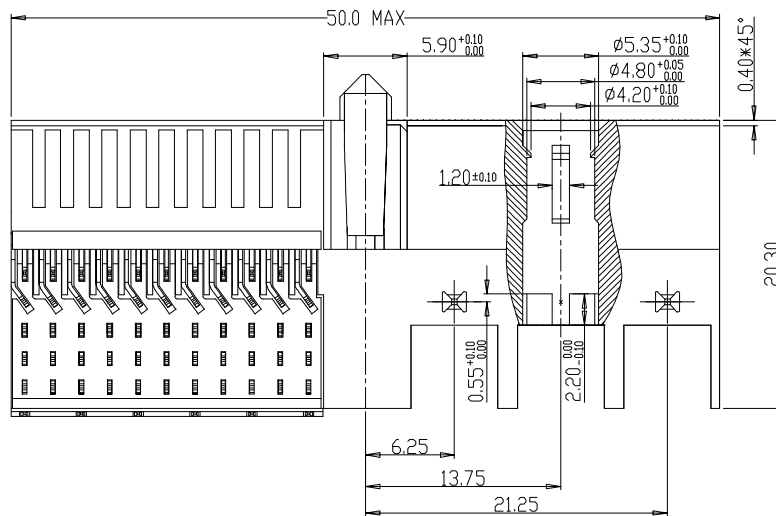
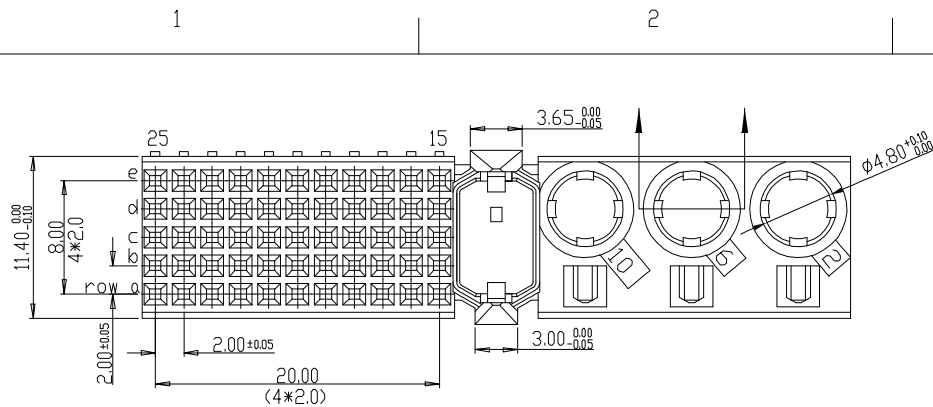


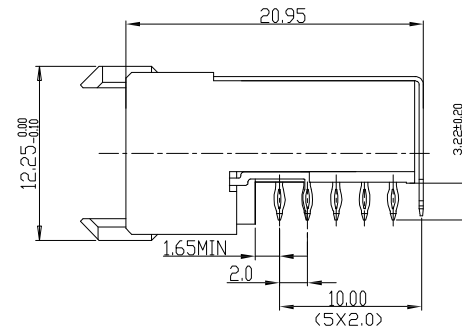
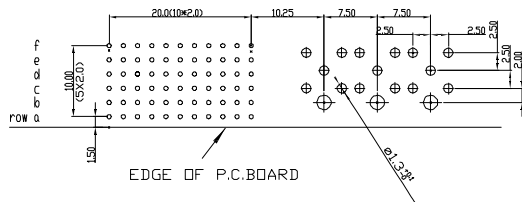
Tous droits strictement reserves. Reproduction ou communication a des tiers interdite sous quelque forme que ce soit sans autorisation écrite du propriétaire. Propriete de c FCI. Droits de reproduction FCI.



All rights strictly reserved. Reproduction or issue to third parties in any form whatever is not permitted without written authority from the proprietor. Property of FCI. Copyright FCI.



LAY-OUT
P.C.B. - HOLE



PERFORMANCE CHARACTERISTICS

- CURRENT RATING: 1.5 A AT 20°C (FULLY LOADED)
1 A AT 70°C (FULLY LOADED)
- RATED VOLTAGE: 500 V AC (CONT /CONT)
- OPERATING TEMPERATURE : -55°C TO 125°C
- CONTACT RESISTANCE :20 mΩ MAX
- INSERTION FORCE: 0.75N MAX/CONT
- EXTRACTION FORCE : 0.15N MIN /CONT
- INSULATION RESISTANCE: 10⁴ MΩ MIN

NOTES

- LEAD FREE INDICATOR :LF=LEAD FREE
- PERFORMANCE LEVEL INDICATOR
REF DWG NO.BS.C.201844.003
- THIS PRODUCT IS CSA APPROVED.
THIS PRODUCT IS UL RECOGNIZED.
- FOR RECOMMENDED PTH DIMENSIONS REFER DRAWING :BS.A.201572.001
- THIS PRODUCT (LF) MEETS EUROPEAN UNION DIRECTIVES AND OTHER COUNTRY REGULATIONS AS DESCRIBED IN GS-22-008

rev	ecn no	dr	date
A	104-0010	BKP	16-02-04
B	DG05-0381	Kasor	10-10-05
C	DG10-0110	NZ	2010.9.3

Material		Spec ref		
Mat code		tolerance 1DEC±0.2 1DEC 2DEC ± 0.10 2DEC ANGLES±1°MAXEN	projection MM	size A4
Heatreat				
Plating/Finish		Dr BKP 16-02-04	Product family MILLIPICS	Scale 1.500
Dr BKP 16-02-04				
Eng		Model Name		ECN
Chr		Model Revision		REL Level
Appr		title MPACS 5+1R RA RCP CONN TYPE MND LOCK PEGS		dwg no BS,C ,201444,055
Pro/E file		catalog no	HM2R50PA5108----	CUMSTOMER
				sheet 1 of 1